

UNIVERSITY OF KERALA

Thiruvananthapuram, Kerala, India – 695034

(Established as University of Travancore by the Travancore University Act in 1937 and reconstituted as University of Kerala by the Kerala University Act of 1957 and presently governed by the Kerala University Act of 1974 passed by the Kerala State Legislative Assembly)
(Re-accredited by NAAC with 'A++' Grade)

33474/Ad BIV A/2023/UOK

31.10.2023

QUOTATION NOTICE (RE-TENDER)

Competitive Quotations (Re-Tender) are invited from interested Vendors **within Kerala State, for the supply of one number of Pallet Truck for use in the Examination Store, Senate House Campus, Palayam.** The details of Specification for Pallet Truck and format of Compliance Statement are also appended.

Conditions

1. The rate quoted should be inclusive of Tax, transportation charges, installation charges and any other charges.
2. **Compliance Statement should be submitted that includes all parameters as in specification.**
3. Complaints if any with the items supplied should be rectified/replaced to the satisfaction of the University by the suppliers at their own cost.
4. Payment will be made only after the supply of the items at our own site.
5. The undersigned reserves the right to accept/reject any quotation without assigning any reason.

The sealed quotations should be addressed to "**The Registrar, University of Kerala, Senate House Campus, Palayam, Thiruvananthapuram - 695034**", superscribing as "**Quotations (Re-Tender) for the supply of one number of Pallet Truck for use in the Examination Store, Senate House Campus, Palayam**". The last date of receipt of quotations is at 3.00 PM on 14.11.2023. The quotations will be opened at 3.30 PM on the same day in the presence of vendors then present.

Prof. (Dr.) K S Anil Kumar

Registrar



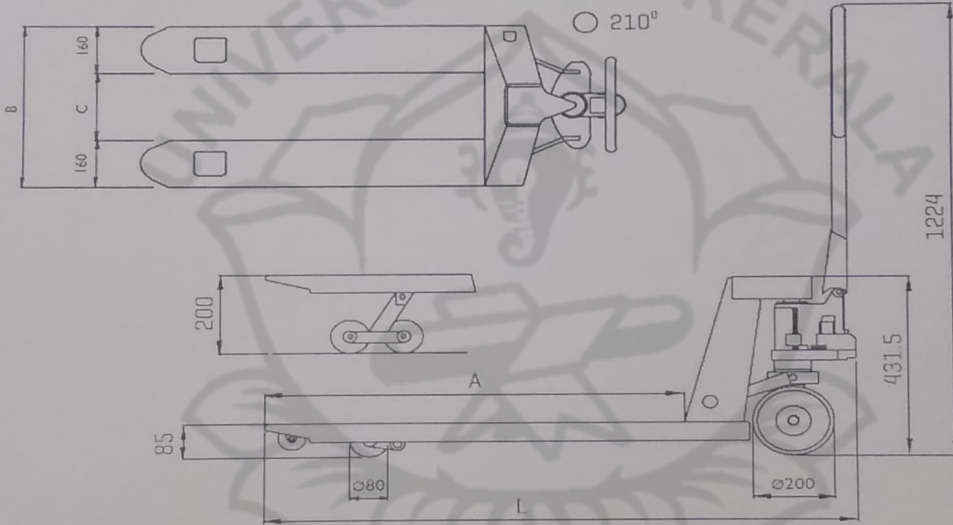
TECHNICAL SPECIFICATION PALLET TRUCK

Sl.	Particulars	Unit	Technical Specification
1	BASIC CAPACITY	kg	2500
2	FORK LENGTH(A)	mm	1150
3	FORK WIDTH(B)	mm	520(Outer to Outer)
4	INDIVIDUAL FORK WIDTH	mm	160each
5	GAP BETWEEN FORKS(C)	mm	200
6	LOWERED FORK HEIGHT	mm	85
7	MAXLIFT HEIGHT	mm	200
8	STEERING ANGLE	deg	210
9	WHEELS	-	Nylon
10	OVERALL LENGTH(L)	mm	1510
11	SUGGESTED BRANDS		MAINI, ACE(TVS), INGERSOLL RAND

* Dimensions quoted are maximum, Tolerance of 10% permissible

12 Warranty

Years minimum 1 Year



कर्मणि व्यज्यते प्रजा

Sandeep Kumar
27/05/2023

Assistant Engineer Mechanical



Format of Compliance Statement

Sl. No.	Particulars	Unit	Technical Specification	Compliance (Yes/No)	Remarks
1.	BASIC CAPACITY	kg	2500		
2.	FORK LENGTH(A)	mm	1150		
3.	FORK WIDTH(B)	mm	520 (Outer to Outer)		
4.	INDIVIDUAL FORK WIDTH	mm	160 each		
5.	GAP BETWEEN FORKS(C)	mm	200		
6.	LOWERED FORK HEIGHT	mm	85		
7.	MAXLIFT HEIGHT	mm	200		
8.	STEERING ANGLE	deg	210		
9.	WHEELS	-	Nylon		
10.	OVERALL LENGTH(L)	mm	1510		
11.	SUGGESTED BRANDS		MAINI, ACE(TVS), INGERSOLL RAND		
12.	WARRANTY	Year	Minimum 1 Year		

Prof. (Dr.) K S Anil Kumar
Registrar

