

MODEL QUESTION PAPER

Fourth Semester B.Tech Degree Examination

(Scheme: 2013)

Branch: Production Engineering

13.406 PRODUCTION DRAWING (P)

Time: 4 Hrs

Max Marks: 100

Answer any two questions from Module I. Question from Module II is compulsory.

Module - I

1. Explain hole basis and shaft basis systems.
2. Find out the maximum and minimum sizes, maximum and minimum clearances, type of fit for 50H7g6.
3. Explain the following:
 - a) Different types of surfaces with neat sketches.
 - b) Surface Roughness.

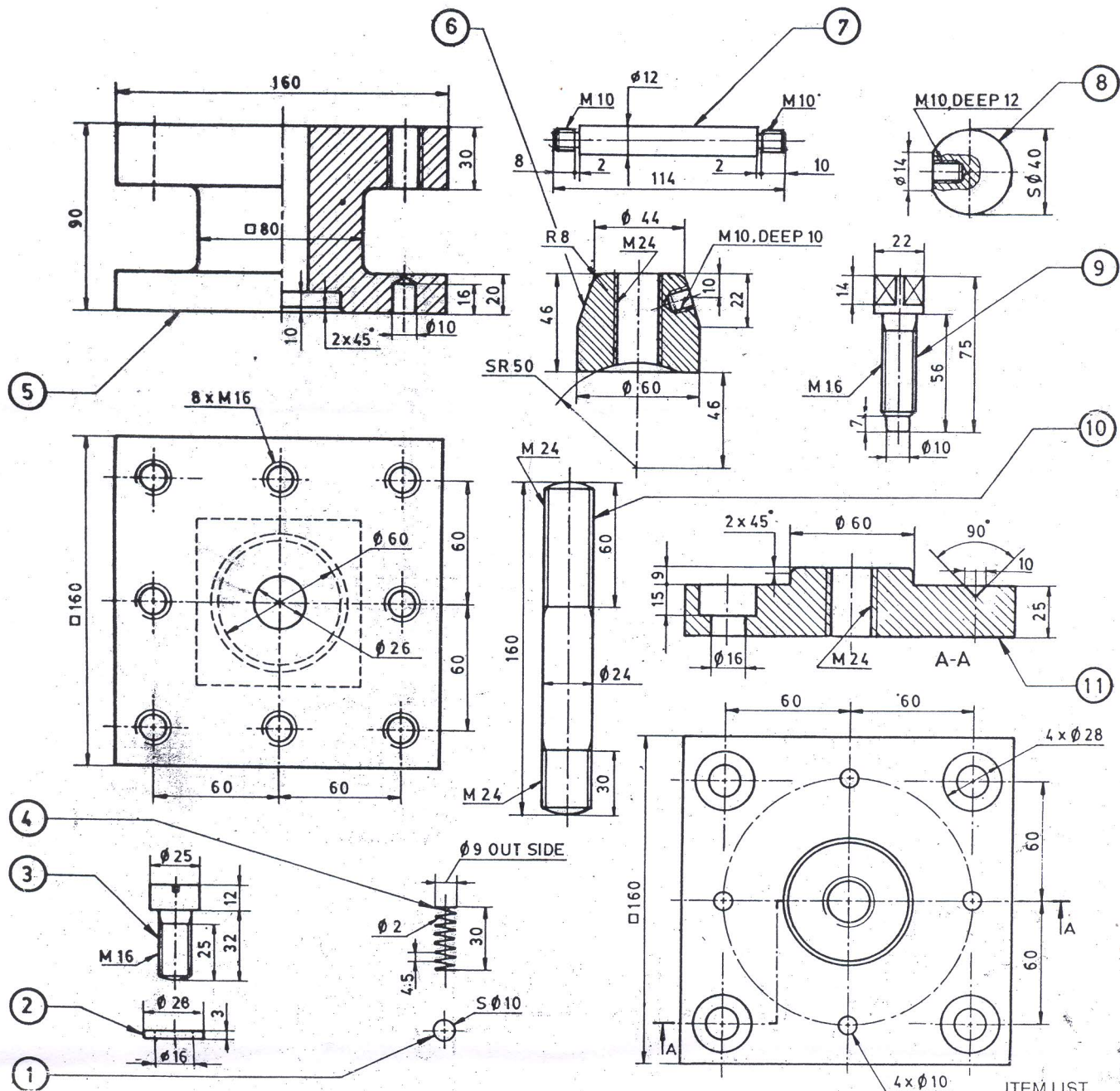
(2x10=20 Marks)

Module II

4. Assemble the parts of a Lathe tool post shown in fig. 1 and draw the following views:
 - a) Sectional front view
 - b) Top view.

(60+20 Marks)

P.T.O.



ITEM LIST

Item	Description	Qty.	Material
1	Ball	1	Steel
2	Washer	4	M.S.
3	Grub screw	4	M.S.
4	Spring	1	Steel
5	Tool holder	1	Steel
6	Clamping nut	1	Steel
7	Handle	1	M.S.
8	Knob	1	Ebonite
9	Screw (Square headed)	8	M.S.
10	Stud	1	M.S.
11	Base plate	1	Steel

Fig. 1 LATHE TOOL POST